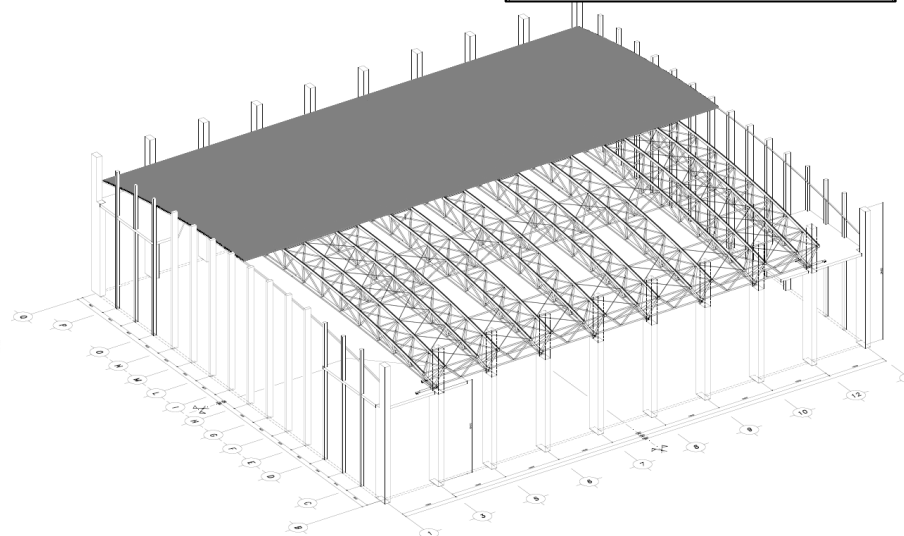
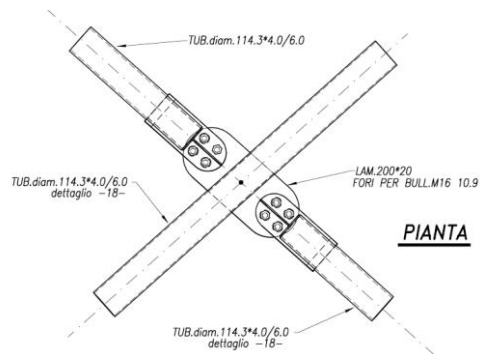
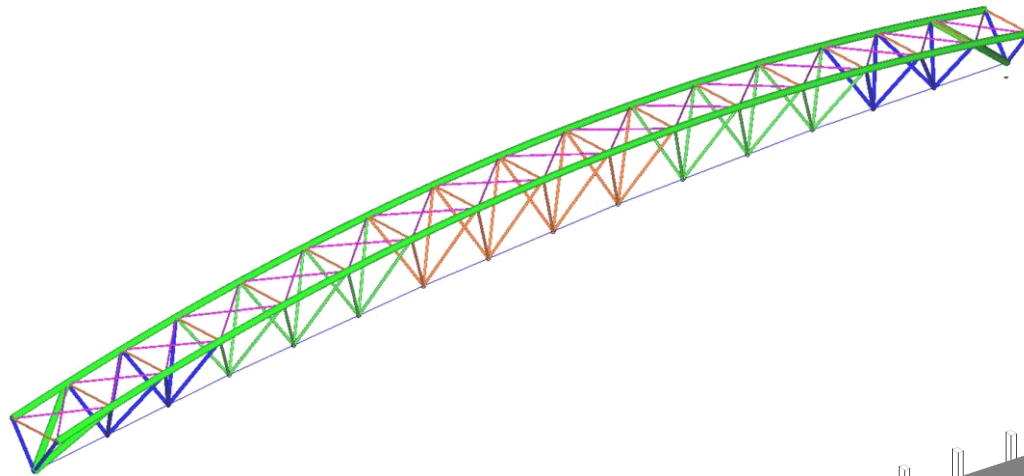
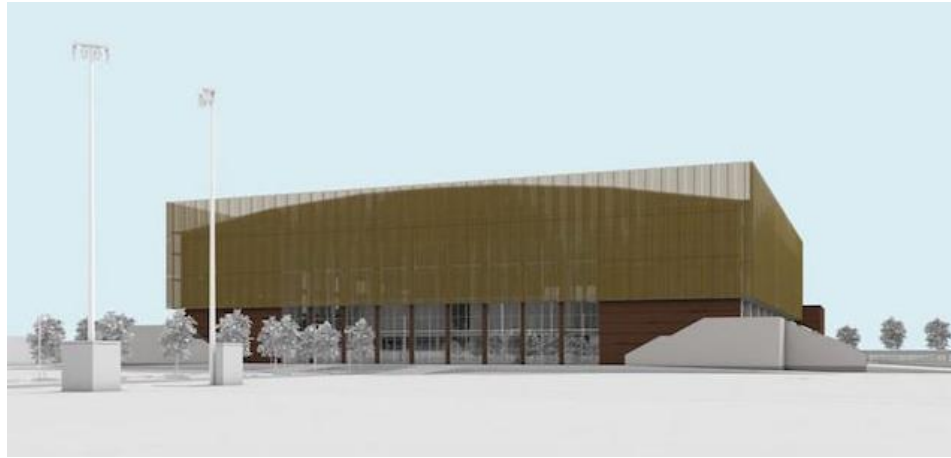
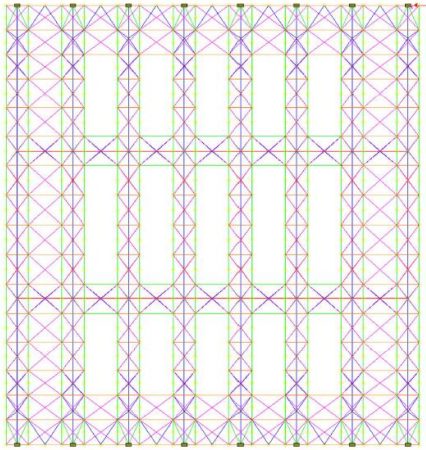


Ravenna – New Multi-purpose Arena



WORK DATA	
Location	Ravenna (ITA)
Year	2019 – 2022 under construction
Owner	Ravenna Municipality
Client	Ravenna Municipality
Seats	6'000
Work budget	€ 7'000'000
Purpose	Multi-purpose (theatre, concerts, international sport events, exhibition events)
STRUCTURAL DESIGN	
Tender	X
Preliminary	X
Final	X
DLS	
CHARACTERISTICS	
Covered Area	7'200m ²
Plan	80m x 90m
Roof	Steel trusses with 79m span, each 10m
Roof Cover	Corrugated metal sheet