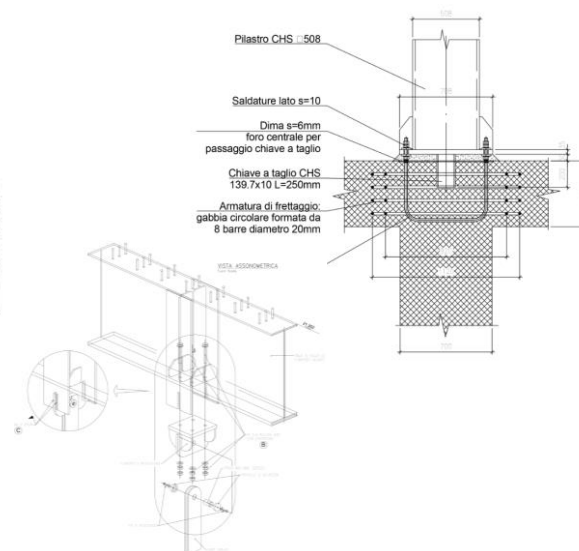
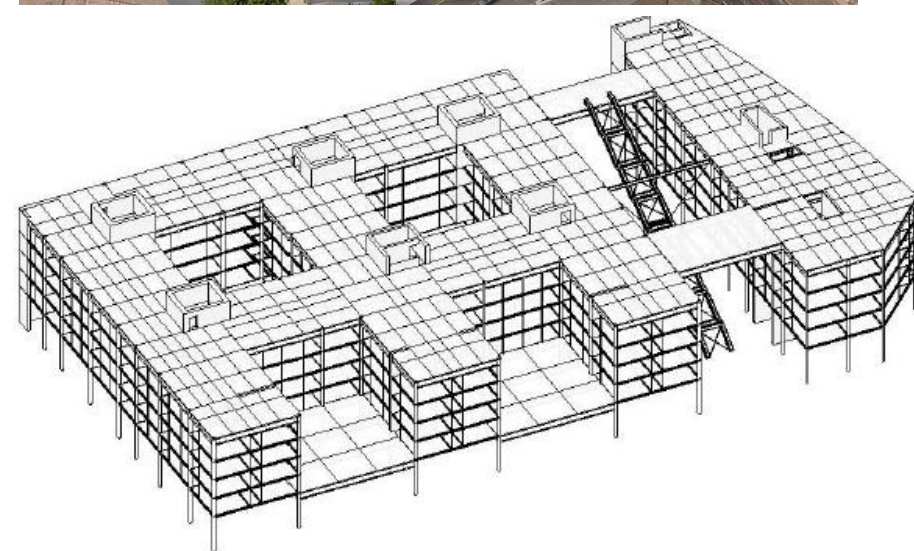
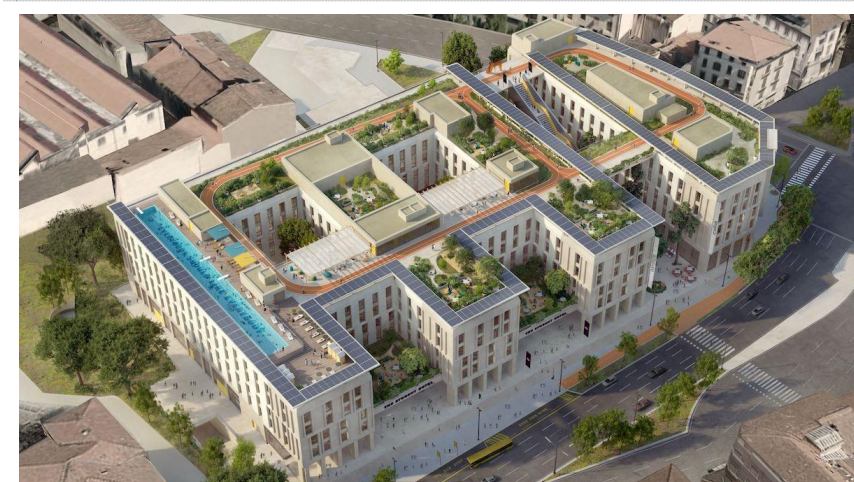


Florence – Belfiore Hall of Residence



WORK DATA	
Location	Florecen (ITA)
Year	2018 - 2019
Owner	TSH Student Hotel
Client	TSH Student Hotel
Structural Work cost	€ 8'000'000
Type	New construction
STRUCTURAL DESIGN	
Tender	X
Preliminary	X
Final	-
CHARACTERISTICS	
Plan Area	Building A: 82x67=5494m ² Building B: 17x67=1139m ²
Storey	4 underground + 5 above ground
Height	13.9m underground + 24.7m above ground
Main Structure	Concrete cores and secondary steel columns. Levels 1,2,3 and 4 are hanged to the Roof steel beams.
Slabs	Precast precast formwork
Foundation	Concrete Box foundation with 4 underground floors