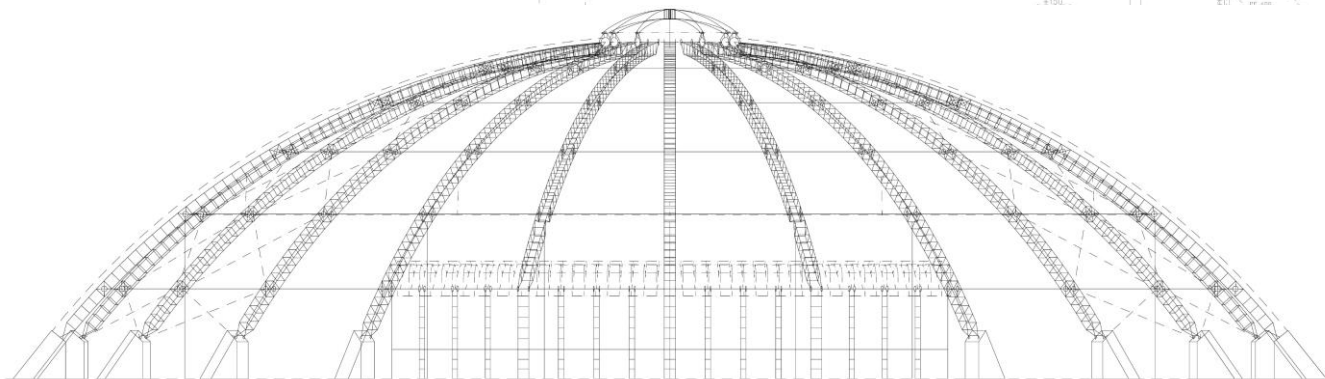
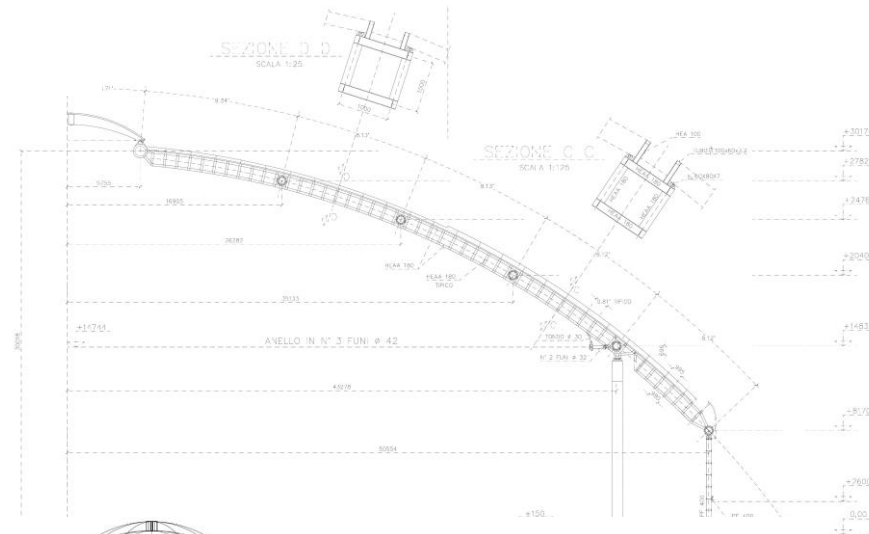
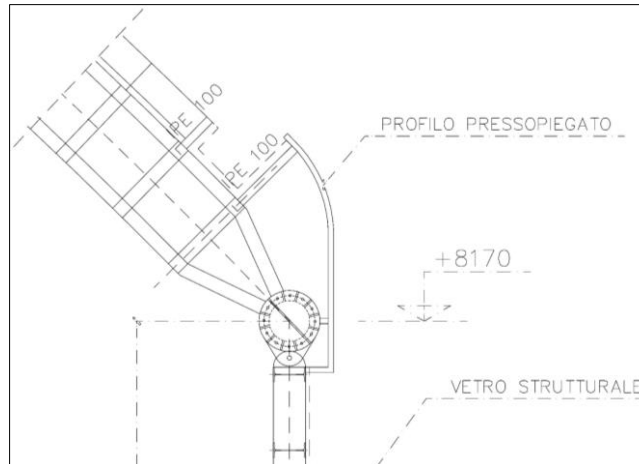
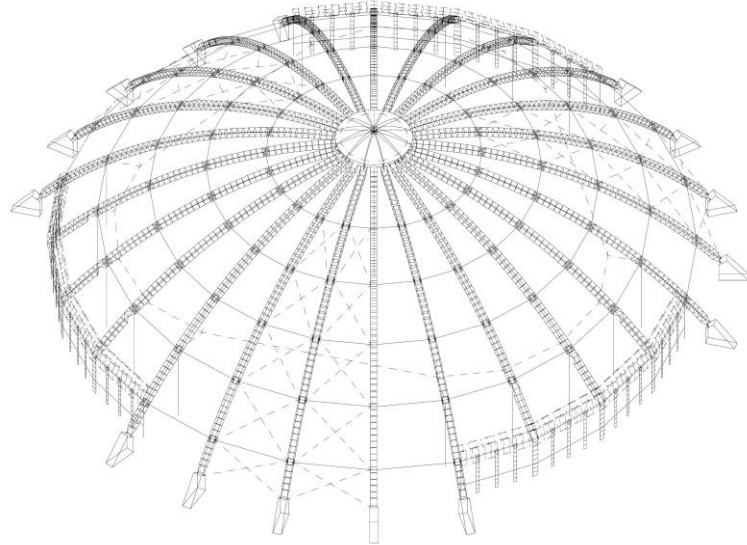


Livorno – Modigliani Forum



WORK DATA

Location	Livorno (ITA)
Year	1997
Owner	Comune di Livorno
Client	Comune di Livorno
Seats	8'033
Work budget	€ 5'580'000
Purpose	Multipurpose

STRUCTURAL DESIGN

Tender	X
Preliminary	-
Final	-

CHARACTERISTICS

Covered Area	10'000m ²
Plan	Circle with 70m radius
Roof	Steel arches with a prestressed cable ring.
Roof Cover	Corrugated metal sheet